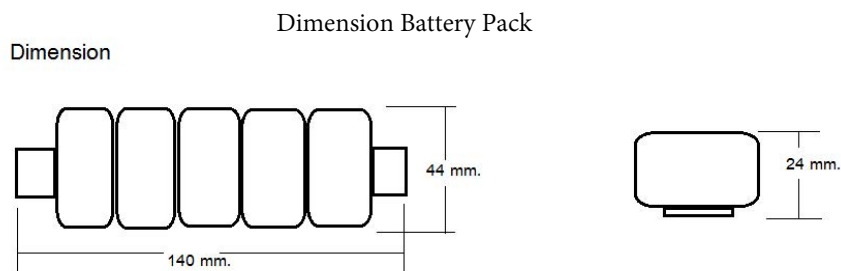
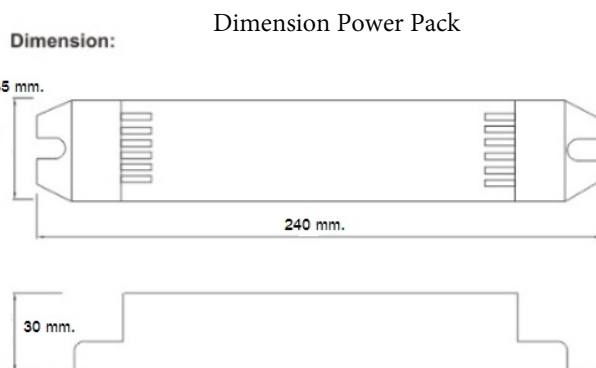


### SPECIFICATIONS

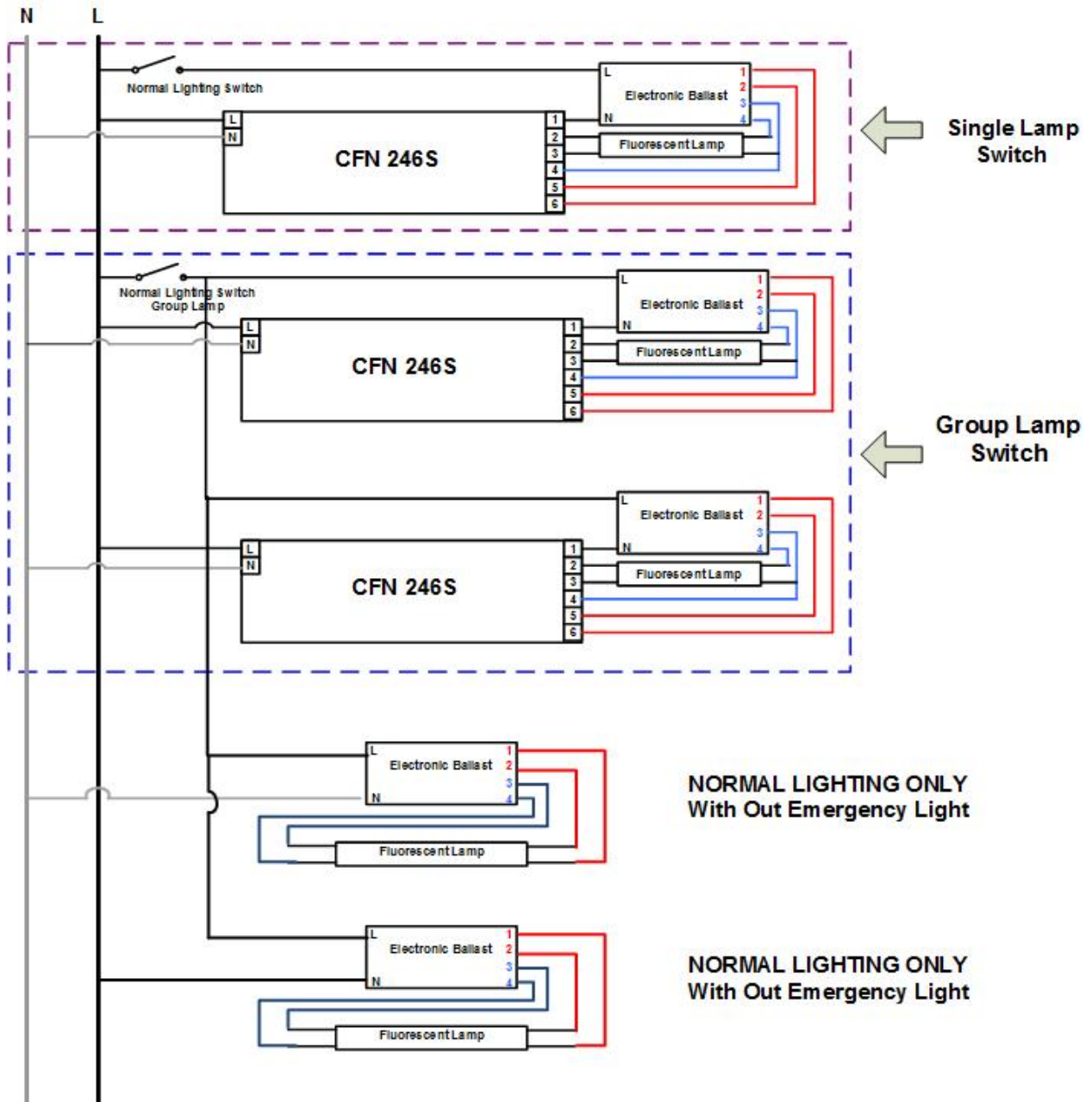
INPUT VOLTAGE	:	220 V AC/50Hz +/-10%
BATTERY	:	NI - CD 6V 2200mAh
BACK UP TIME	:	2 hrs
MODE	:	Maintained / Non Maintained
POWER CONSUMPTION	:	<25VA >5VA
CHARGER	:	Constant Current & Constant Voltage (CCCV)
CHARGING TIME	:	24 HOURS
PROTECTION	:	Low Voltage Cut Off To Prevent Battery Over Discharge
GROSS WEIGHT	:	0.400 Kg. Emergency pack 0.150 Kg. Battery Pack 0.250 Kg.



## Wiring Diagram CFN246S

### MAINTAINED

(ให้แสงสว่างทั้งตอนไฟฟ้าปกติและตอนไฟฟ้าดับ)



## Wiring Diagram CFN246S

