



### SPECIFICATION

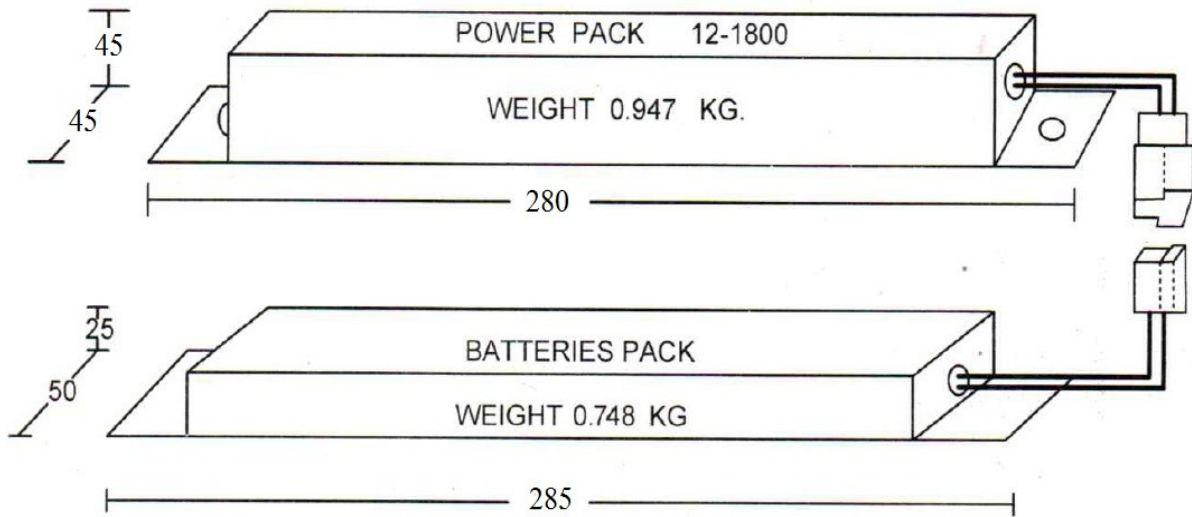
INPUT VOLTAGE	:	220 V AC/50Hz +/-10%
BATTERY	:	12V. 1.8Ah HIGH TEMP NICKEL CADMIUM
BACK UP TIME	:	3 HOURS FOR 1x7 W. LED LAMP 2 HOURS FOR 1x9 W. LED LAMP
MODE	:	MAINTAINED / NON MAINTAINED
POWER CONSUMPTION	:	<25VA / >5VA
CHARGER	:	CONSTANT CURRENT
PROTECTION	:	LOW VOLT CUT OFF TO PREVENT BATTERY OVER DISCHARGE AC.FUSE, DC. CHARGER FUSE, BATTERY OUT PUT FUSE
GROSS WEIGHT	:	1.5 KG.

### MODEL INFORMATION

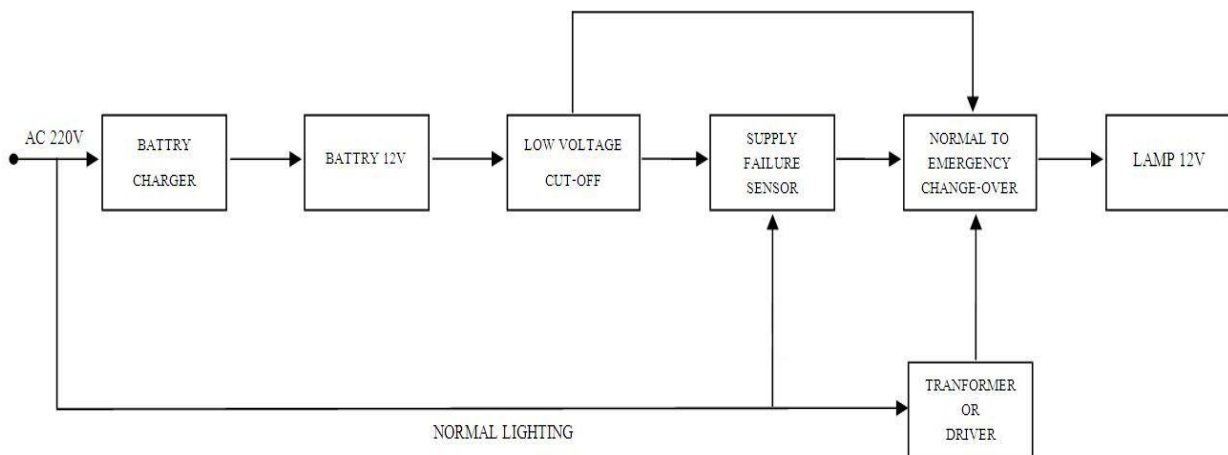
FOR EXAMPLE: MODEL PP12-1800

PP	12	1800	NI	MT	CT
<input type="checkbox"/> POWER PACK	BATT.VOLTAGE <input type="checkbox"/> 12 VOLT	BATT.CAPACITY <input type="checkbox"/> 1800 mAh	BATT.TYPE <input type="checkbox"/> NI= NICKEL CADMIUM	MODE <input type="checkbox"/> MT=MAINTAINED <input type="checkbox"/> NM=NON- MAINTAINED	TRANSFORMER TYPE <input type="checkbox"/> CT = CONVENTIONAL <input type="checkbox"/> EL = ELECTRONICS (FOR MAINTAINED MOD)

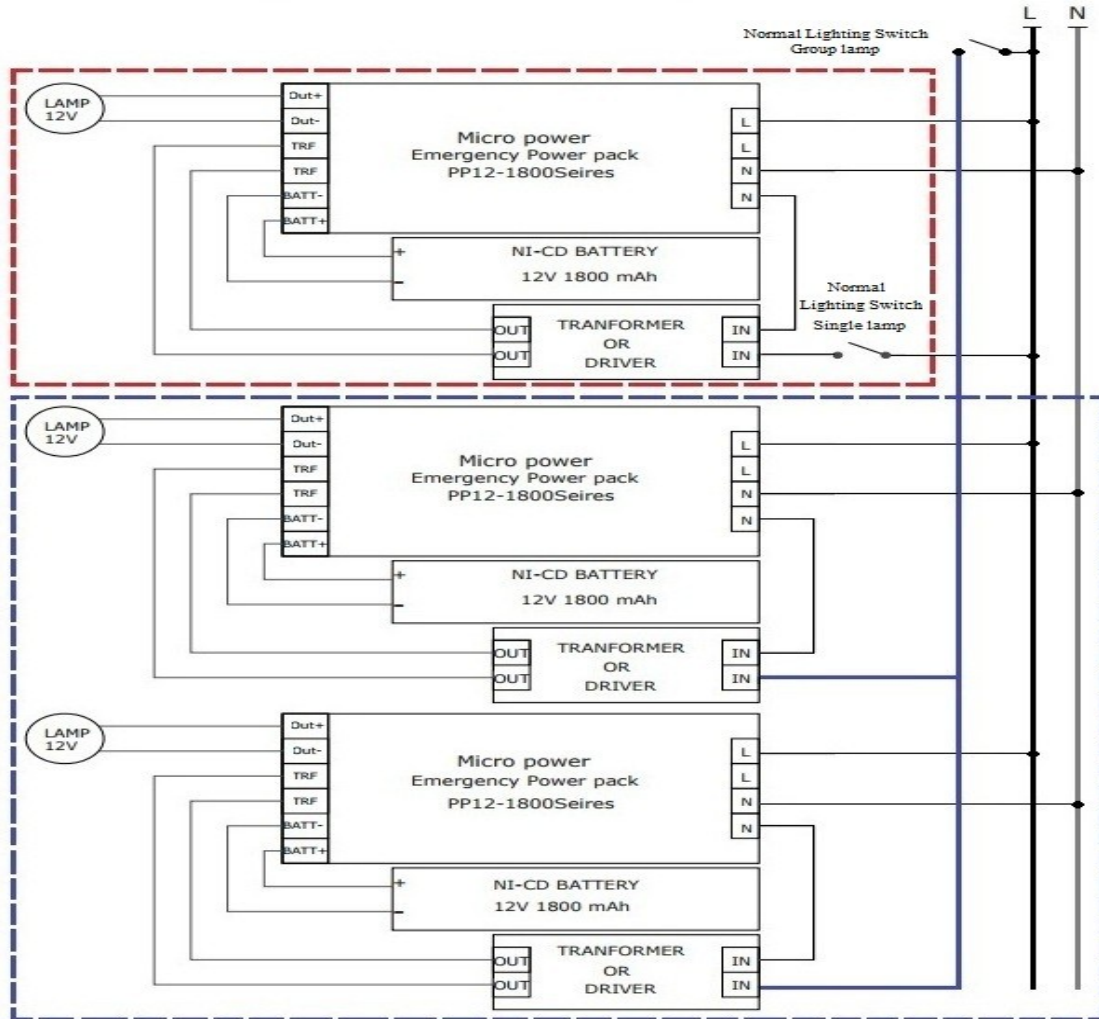
PP 12-1800 Series Dimension: mm



Block Diagram  
Emergency Power Pack  
PP 12-1800 Series



Wiring Diagram Emergency Power Pack  
PP12-1800  
MODE: MAINTAINED  
(NORMAL & EMERGENCY LIGHT)



Wiring Diagram Emergency Power Pack  
PP12-1800  
MODE: NON-MAINTAINED  
(EMERGENCY LIGHT)

